



Model: DF-48

SERIAL NUMBERS 1001 AND HIGHER



 <p>DANGER</p>	<p>CARBON MONOXIDE HAZARD</p>
	<p>This appliance can produce carbon monoxide which has no odor.</p> <p>Using it in an enclosed space can kill you.</p> <p>Never use this appliance in an enclosed space such as a camper, tent, car or home.</p>

⚠ DANGER
FIRE OR EXPLOSION HAZARD

If you smell gas:

- Shut off gas to the appliance.
- Extinguish any open flame.
- If odor continues, leave the area immediately.
- After leaving the area, call your gas supplier or fire department.

Failure to follow these instructions could result in fire or explosion, which could cause property damage, personal injury, or death.

⚠ WARNING

Do not store or use gasoline, or other flammable vapors and liquids, in the vicinity of this or any other appliance.

An LP-cylinder not connected for use shall not be stored in the vicinity of this or any other appliance.

⚠ WARNING: For Outdoor Use Only.

Installation and service must be performed by a qualified installer, service agency, or the gas supplier.

INSTALLER: Leave this manual with the appliance.
CONSUMER: Retain this manual for future reference.



HYBRID ENERGIES A.T. Inc

Hybrid Energies Inc.
 12285 Cardinal Street, Mission
 BC V4S1L3, Canada

⚠ DANGER

HOT GLASS WILL CAUSE BURNS.

DO NOT TOUCH GLASS UNTIL COOLED.

NEVER ALLOW CHILDREN TO TOUCH GLASS.

A barrier designed to reduce the risk of burns from the hot viewing glass is provided with this appliance and shall be installed for the protection of children and other at-risk individuals.

⚠ WARNING: If the information in this manual is not followed exactly, a fire or explosion may result causing property damage, personal injury, or loss of life.

Tested and listed by



LABTEST Certification Inc
 Delta, British Columbia, Canada
 ANSI Z21.97-2017 / CSA 2.41-2017,
 CSA 2.17-2017

NATIONAL FIREPLACE INSTITUTE
NFI
CERTIFIED
 www.nficertified.org

We recommend that our gas hearth products be installed and serviced by professionals who are certified in the U.S. by the National Fireplace Institute® (NFI) as NFI Gas Specialists.

INTRODUCTION

Congratulations on choosing a Hybrid Energies heating appliance.

The DF-48 is one of the most advanced Outdoor Heaters available today. It is solidly designed using the latest technology and manufactured to the highest quality. It is our aim to provide you with an appliance for many trouble-free years of reliable service.

Some of the many features of your DF-48 are:

- **High Efficiency** The DF-48 has one of the highest efficiency ratings, making it less expensive to operate.
- **Adjustable Flame** The flame aesthetics and heat output can be adjusted to suit the owner's liking and heating needs.
- **Solid Construction** Firebox constructed of stainless steel and aluminized coated steel for long life and durability.
- **Optional Accessories** Check with your Authorized Hybrid Energies Dealer for optional accessories to suit your home's décor and your tastes.
- **Electronic Control System** The DF-48 uses a gas control valve that is operated by a Multifunction Remote Control. It can be used as either an Intermittent Pilot or Standing Pilot system. (See page 23 for information regarding this system)

Fireplace Model Number	<u>DF-48</u>
Fireplace Serial Number	_____
Date of Installation	_____
Type of Gas Used by the Heater	_____
Dealer's Name	_____

SAFETY & WARNINGS

For appliances for use with a fixed fuel piping system and equipped with an appliance gas pressure regulator, the appliance and its individual shutoff valve must be disconnected from the gas supply piping system during any pressure testing of that system at test pressures in excess of 1/2 psi (3.5 kPa);

The appliance must be isolated from the gas supply piping system by closing its individual manual shutoff valve during any pressure testing of the gas supply piping system at test pressures equal to or less than 1/2 psi (3.5 kPa);

Keep the appliance area clear and free from combustible materials, gasoline, and other flammable vapors and liquids;

Inspect the burner once a year. Check for carboning or corrosion.

The burner must be replaced prior to the appliance being put into operation if it is evident that the burner is damaged. The replacement burner shall be that specified by the manufacturer.

Children and adults should be alerted to the hazards of high surface temperatures and should stay away to avoid burns or clothing ignition.

Young children should be carefully supervised when they are in the area of the appliance.

Clothing or other flammable materials should not be hung from the appliance or placed on or near the appliance.

Installation and repair should be done by a qualified service person.

The appliance should be inspected before use and at least annually by a qualified service person. More frequent cleaning may be required as necessary. It is imperative that the control compartment, burners, and circulating air passages of the appliance are kept clean.

Do not use this appliance if any part has been under water. Immediately call a qualified service technician to inspect the appliance and to replace any part of the control system and any gas control that has been under water.

Any guard, barrier, or other protective device removed for servicing the appliance shall be replaced prior to operating the appliance.

Solid fuels shall not be burned in this appliance.

BOTTLED GAS CONNECTION

Prepare your bottled propane connection

You must ensure that your propane tank is installed in a safe environment.

Place your propane tank away from flame sources. This way, you protect yourself and your surroundings.

Inspect the gasket. It must be free of splits, cracks and must be rounded. This way, you know that it is not damaged or warped.

Remove the cap from the tank. But, before doing that, you should perform a gas leak test. Always check that the cap is sealed. It prevents leaks while the tank is stored.

If you discover that it is perfectly sealed on your tank, you can therefore remove it. The cap is usually red or blue. Once you remove it, you can quickly fix your propane tank to the rubber hose connection. Connect the gas tank

Connect the rubber gas line to your propane tank. Make sure that you have tightened the connection provided.

Open the gas valve and check for leaks with soapy water if bubbles form or appear, then there is a leak. Turn You must turn off the valve on the bottle and disconnect the regulator and check on the tank valve gasket. If bubbles don't appear, then your grill is safe to use.

The gas valve must always be turned off when you are not using the heater or before you remove the propane tank from your heater. This will prevent any risk of gas leaking from the tank.

Optional hose connection kit



Optional twin bottle stand

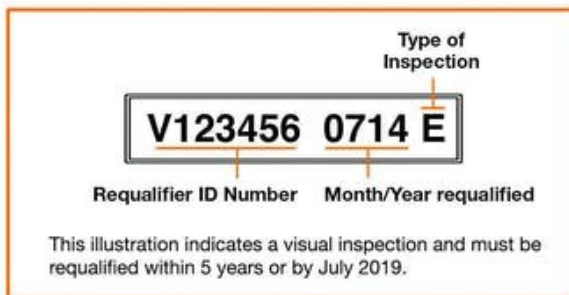


Is your propane cylinder **SAFE?**

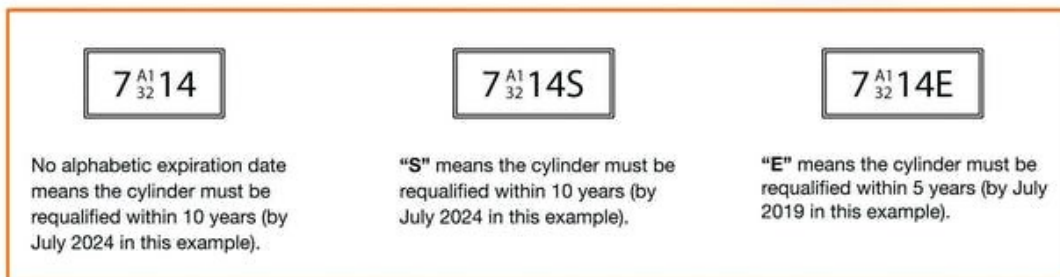
Propane cylinders must be periodically requalified to be safe for use*. Do not use cylinders that have not been requalified because you risk property damage, severe injuries, or death.

To see if your cylinder is okay to use, look for these markings:

- A Manufacturing Date:**
Cylinders must be requalified within 10 years of manufacture (in this illustration by May 2015).
- B Requalification Date:**
If the cylinder is older than 10 years, look for a "requalification date."



Other possible requalification markings:



U.S. Department
of Transportation

Pipeline and
Hazardous Materials
Safety Administration

PHH50-0159-1116

A list of US DOT approved requalifiers and their ID number (RIN) is available on the PHMSA website: <https://portal.phmsa.dot.gov/rinlocator>. See also §173.301

A video guide is available at <https://www.youtube.com/watch?v=83UUfNIWjuU>
For more information, contact the Hazmat Info Center: **1-800-467-4922**

APPLIANCE CERTIFICATION

This appliance was listed by LABTEST Certification Inc to the following USA and Canadian gas appliance standards.

- ANSI Z21.97-2017/CSA 2.41-2017 Outdoor Decorative Gas Appliances
- CSA 2.17-2017 Gas-Fired Appliances for Use at High Altitudes

The listing label is attached to the appliance on the bottom right side of the appliance.

Please contact Hybrid Energies A.T. Inc., if you have any questions regarding the certification of this appliance.

Electrical equipment and wiring supplied on this appliance is in compliance with the applicable clauses of the Standard for Electrical Features of Fuel Burning Equipment, CSA C22.2 No. 3.

INSTALLATION CODES

When connected to a hard pipe system this appliance must be installed by a qualified gas appliance installer. The installation must conform with the local codes or, in the absence of local codes, with the current National Fuel Gas Code ANSI Z223.1/ NFPA 54 in the US, or Installation Code CAN/CGA-B149.1 in Canada. Electrical connections and grounding must conform with local code, or current National Electrical code ANSI/NFPA No. 70-1987 in the US, and in Canada the current Canadian Electrical Code CSA C22.1.

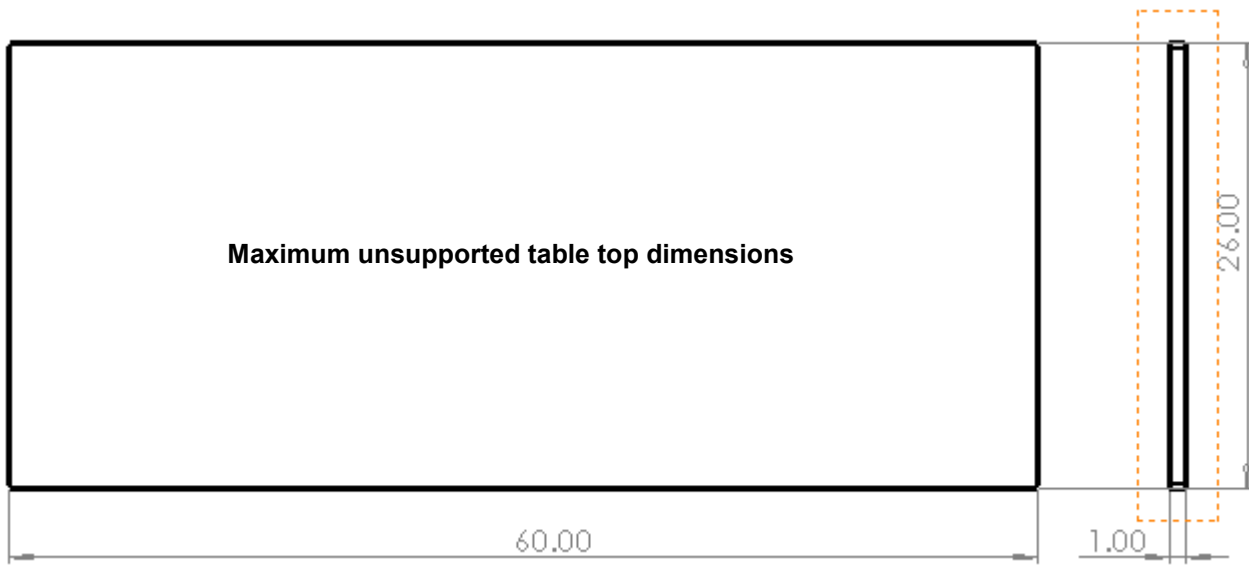
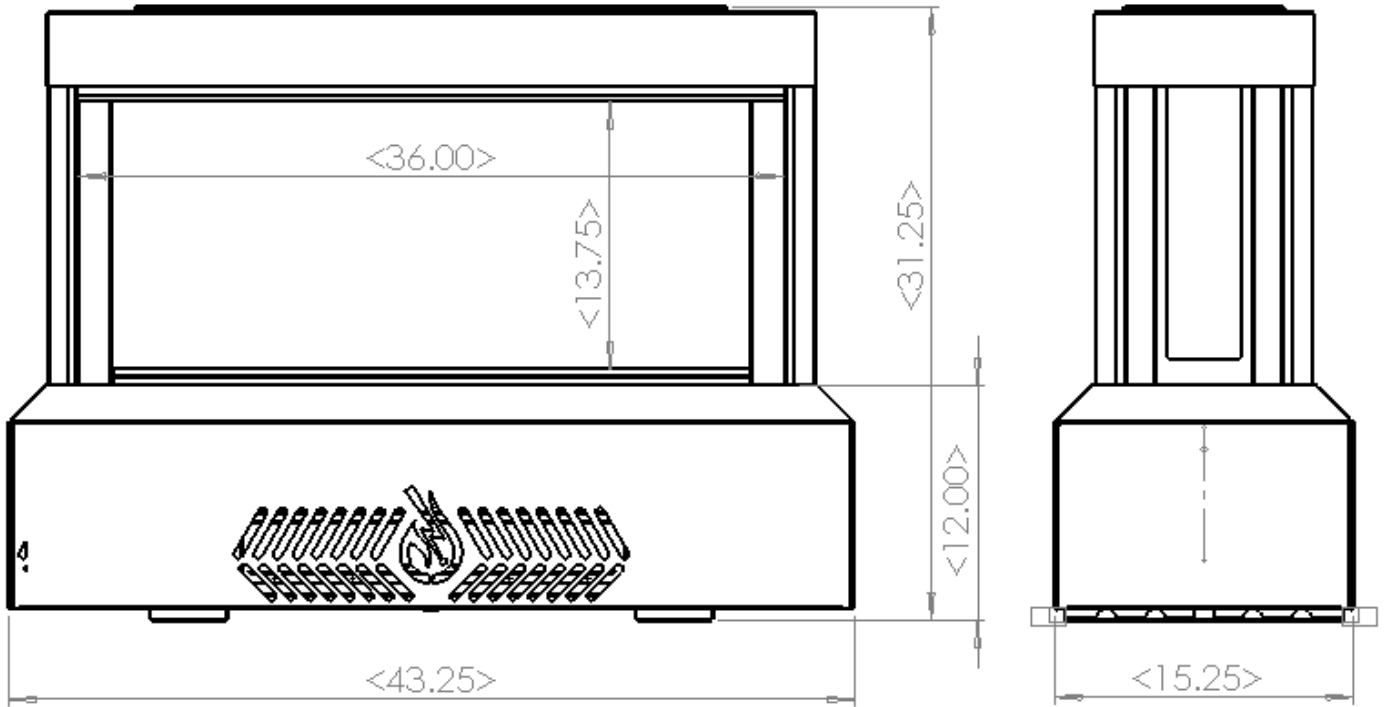
SPECIFICATIONS

	NG	LPG
Input rating / Entrée assignée	16,000—21,000 btu (4.7kw-6.2kw)	18,000—22,000 btu (5.3kw-6.5kw)
Manifold pressure / Pression d'admission	3.5" W.C. (0.9 kPa)	10" W.C. (2.5 kPa)
Orifice size - Center/ Dimension de l'orifice	42# DMS (0.0935mm)	53# DMS (0.0595mm)
Minimum supply pressure for purpose of input adjustment / Pression minimale d'alimentation pour le but d'ajustement de contribution	5 in. W.C. (1.24 kPa)	11.0 in. W.C. (2.8 kPa)
Control valve / La soupape contrôle:	SIT Proflame 2	SIT Proflame 2
Altitude / Elevation	0 - 4500 ft (0 - 1372 m)	0 - 4500 ft (0 - 1372 m)
Electrical rating / Tension électrique	120 VAC, 50/60 Hz, 3.2A	120 VAC, 50/60 Hz, 3.2A
<p>Keep burner and control compartment clean. See instructions accompanying the heater. Maintenir propres le brûleur et le compartiment de commande. Voir les instructions relatives à l'installation et au fonctionnement qui accompagnent le radiateur.</p> <p>Optional fuel conversion kit : OD-P-22</p>	<p>Minimum clearances to Combustibles / Distances: Minimales entre l'appareil et les combustibles:</p> <p>Ceiling / Plafond: 0" (0 mm) Floor / Plancher: 1"(25 mm) Adjacent Side Wall/Paroi latérale adjacent: 0" (0 mm) See Owner's Manual for additional clearances</p>	

APPLIANCE DIMENSIONS

Standard unit dimensions

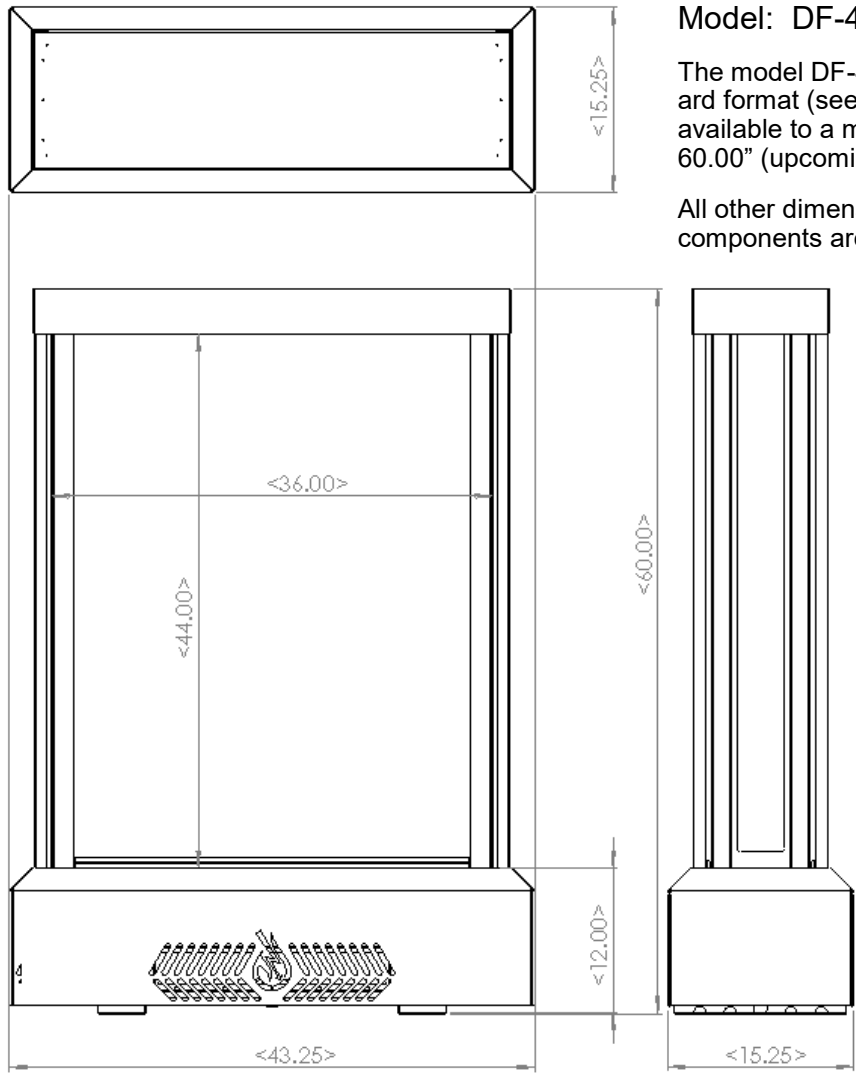
All dimension are shown in inches



Maximum unsupported table top dimensions

APPLIANCE DIMENSIONS

60" high unit dimensions



Model: DF-48.

The model DF-48 is available in stand-ard format (see previous page) and available to a maximum height of 60.00" (upcoming feature).

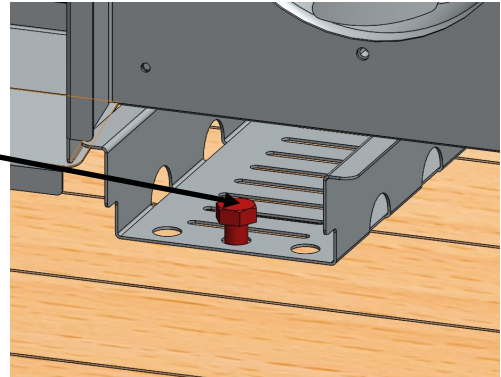
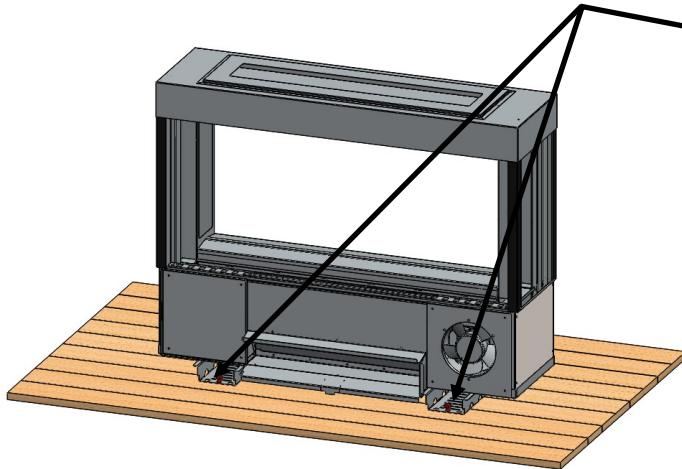
All other dimensions, unit inputs and components are the same.

All dimension are Shown in inches

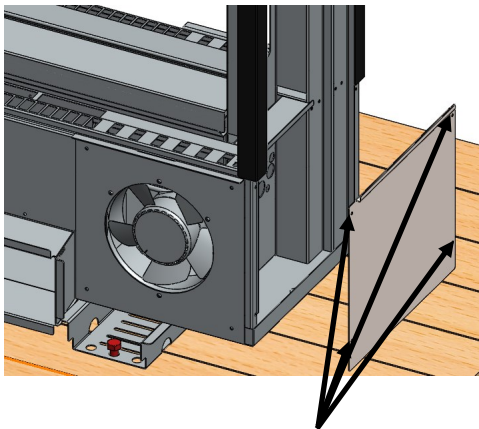
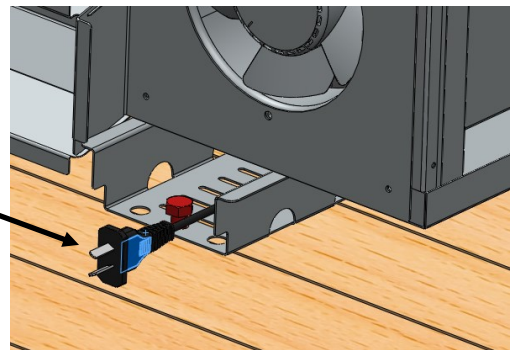
Clearances:		
The model DF-48 is zero clearance to combustibles		
A.	Minimum clearance from top of case heater to combustibles.	0.00"
B.	Minimum clearance from bottom of case heater to combustibles.	1.00"
C.	Minimum clearance from sides of case heater to combustibles.	0.00"

SECURING UNIT & GAS ELECTRICAL CONNECTION

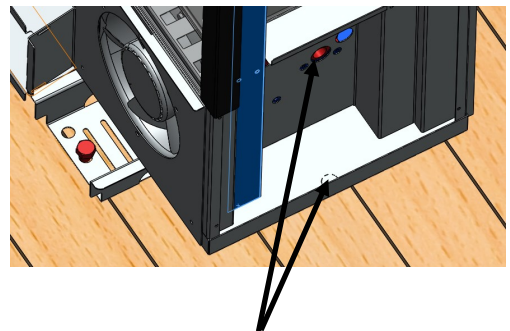
Secure the unit to the floor using 4 x bolts or lag bolts through the deck.



An electrical plug is provided with the unit located coiled by the support foot under the unit. The plug may be removed and the unit hard wired to junction box



Remove the 4 screws to remove the side panel located the same side as the electrical plug.



3/8" female connection to the gas supply is located inside opening. Run the gas supply through the knockout located at the bottom of the unit in the same opening.

INSTALLING GLASS PANELS

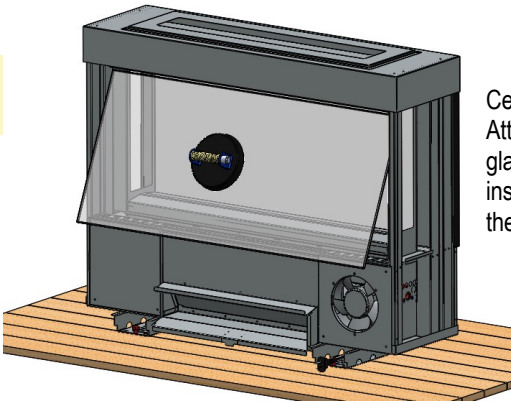
The DF-48 comes supplied with a total of 12 pieces of glass as follows:

4x ceramic glass for inner firebox (2 end and 2 sides).

8 pieces of tempered glass (4 end and 4 sides).

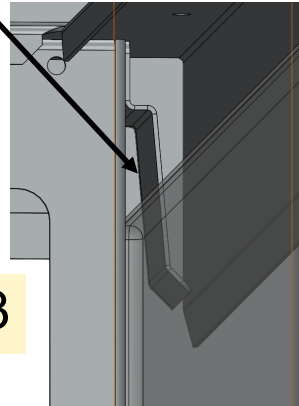
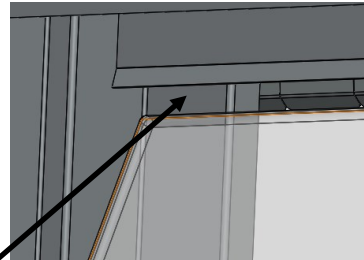
Note: the mid and outer side tempered glass panels are the same size

1



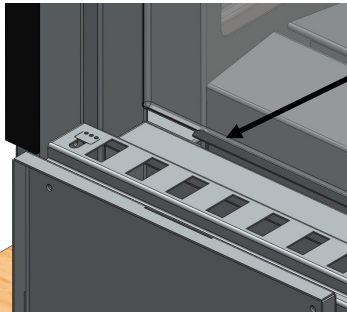
Ceramic glass:
Attach glass sucker and slid the glass into place at an angle insuring the glass slides under the top mounting clip

2

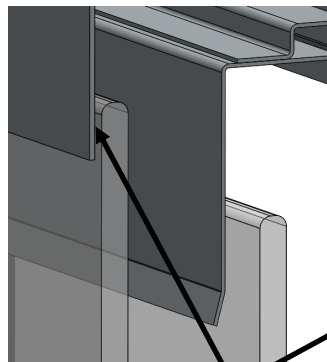


3

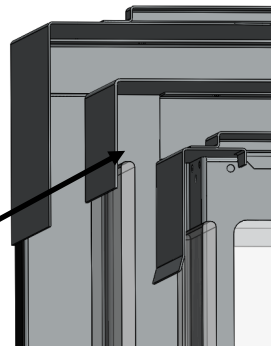
4



Make sure the ceramic glass bottom sites inside the firetray base lip

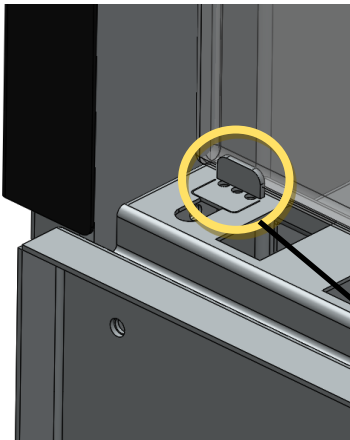


5



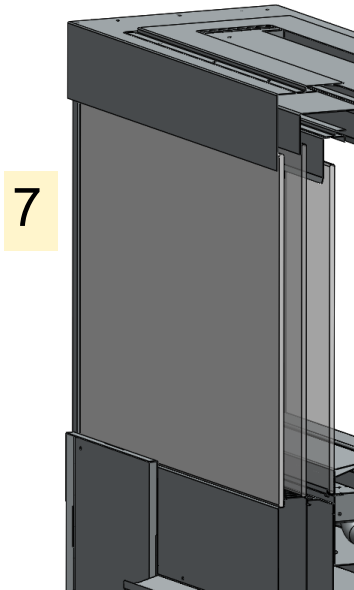
Install the tempered mid glass at an angle up and behind the mid channel lip and between the lip and end panel return.

6

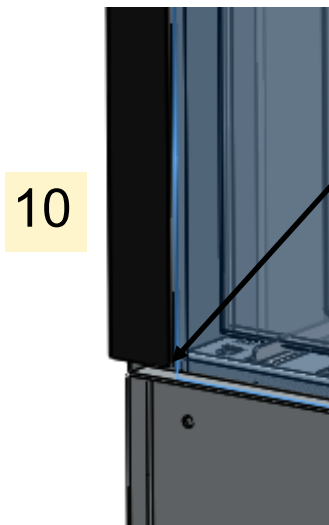
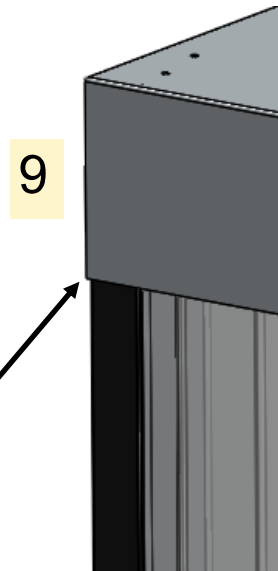
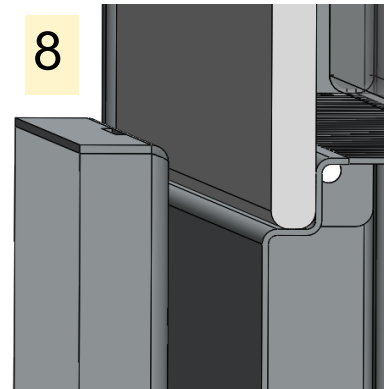


Bottom edge of glass should be behind tab

INSTALLING GLASS PANELS & EDGE TRIMS

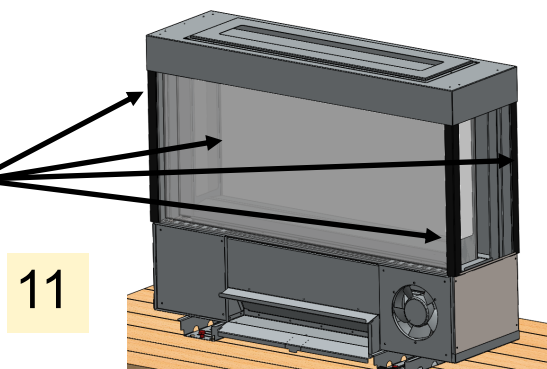


Install outer glass behind top out lip and drop bottom into outer channel

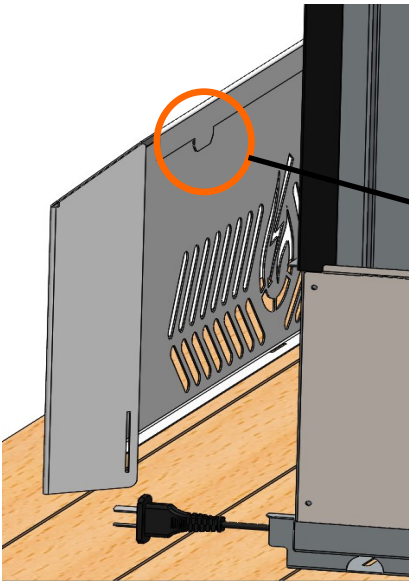


Edge trim slips under outer lip and on top of fan housing

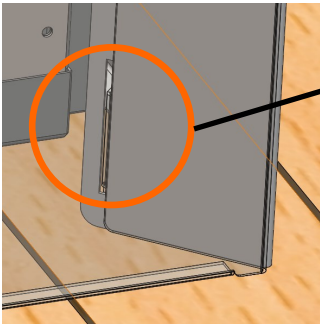
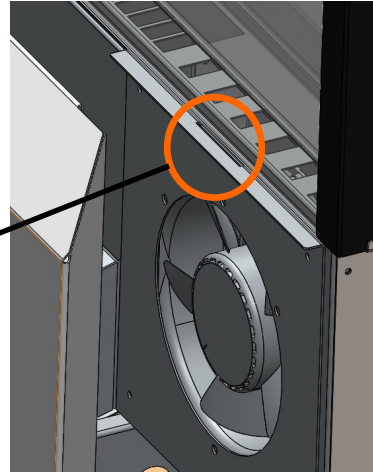
Install trims on all four corners



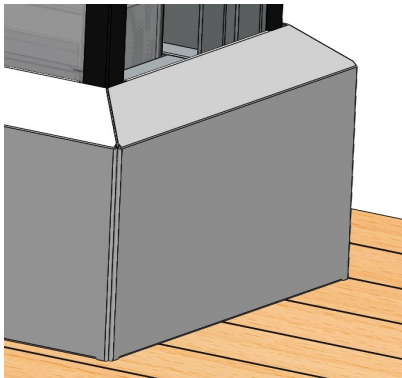
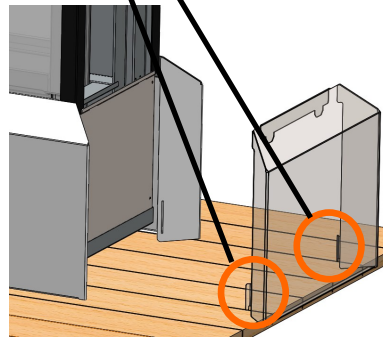
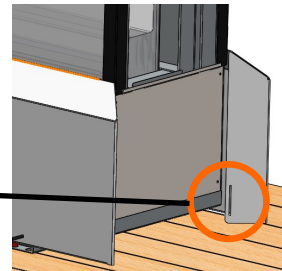
INSTALLING BOTTOM PANELS



Locate top tab into fan housing slot

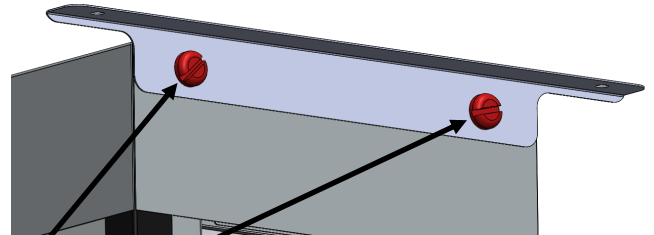
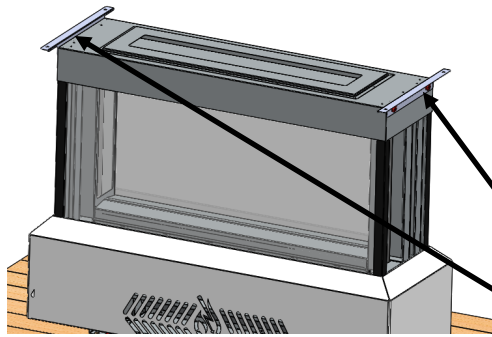


Locate end panel tabs into side panel slot

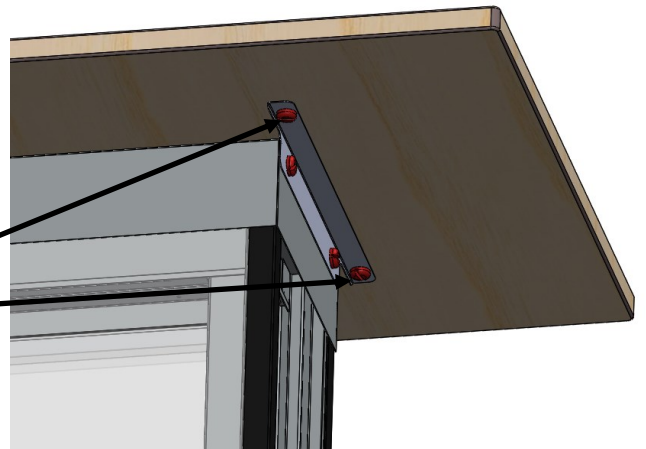
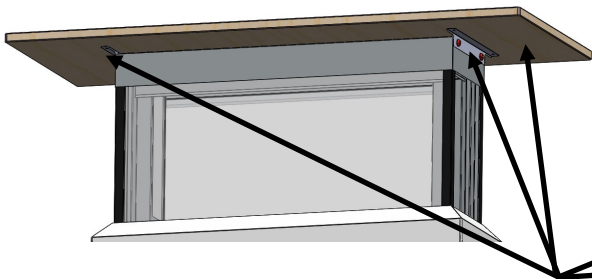


Install all 4 panels

INSTALLING TABLE TOP



Attach 4 x table top support brackets to unit with supplied 1/4" screws



Attach top to brackets with supplied 4 x 1/4" screws

GAS CONNECTION

Before connecting the appliance to the gas supply line, double check that the appliance you have purchased is designed for the gas type you are using. The gas type markings are located on the certification label and also on the appliance's gas valve.

Adequate clearance for proper installation and checking of the gas connections must be provided. **All gas connections must be checked for gas leaks.**

Have your gas supplier or a qualified gas fitter run a gas supply line into the fireplace. The line must be properly sized and fitted according to the installation codes. Immediately upstream of the supply connection, the fitter shall provide an accessible manual shut-off valve. When connecting the supply line to the gas valve, the installer shall brace the gas valve to ensure that the gas valve is not moved from its bracket. If the valve is not braced when the supply line is connected, the valve may be moved and cause a "break" in the main burner supply line. Such damage is not covered by the manufacturer's warranty.

CAUTION: The appliance must be isolated from the gas supply piping system by closing its individual manual shutoff valve during any pressure-testing of the gas supply piping system at test pressures equal to or less than 1/2 psig (3.5 kPa). Failure to do so will damage the appliance's gas valve. Such damage is not covered by the manufacturer's warranty.

Natural Gas Pressure Settings:

The inlet supply or line pressure must be a minimum of 4.5" W.C. (1.2 kPa) and a maximum of 14" W.C. (3.5 kPa).

ELEVATION	INPUT RATING
0-4500 ft (0-1372 M)	21,000 BTU/hr
4500 ft (1372 M) and above.	less 4% per 1000 ft. (305 M)

Please contact your local distributor for the appropriate orifice size you require.

Propane Pressure Settings:

The inlet supply or line pressure must be a minimum of 11" W.C. (2.8 kPa) and a maximum of 14" W.C. (3.5 kPa).

ELEVATION	INPUT RATING
0-4500 ft. (0-1372 M)	22,000 BTU/hr
4500 ft. (1372 M) and above.	less 4% per 1000 ft. (305 M)

Please contact your local distributor for the appropriate orifice size you require.

NOTE: THE INPUT RATING SHOULD ALWAYS BE CHECKED WHEN FIRST RUNNING THIS APPLIANCE. To do this, reduce the background flow rate, time the meter, light the fireplace and take another reading after 45 minutes of operation. Check with your gas supplier for the gas BTU content at your elevation. Input is the rate of flow multiplied by the heating value of the gas (cubic feet/hour x BTU per cubic feet). Adjust the manifold pressure so that the unit does not operate above the rated input.

ELECTRICAL CONNECTIONS

The appliance, when installed, must be electrically grounded in accordance with local codes or, in the absence of local codes, with the National Electrical Code, ANSI/NFPA 70, or the Canadian Electrical Code, CAN/CSA C22.1.

Connection to the unit is made inside supplied electrical box. This connection should be made by qualified persons only and according to local code.

Caution: Label all wires prior to disconnection when servicing controls. Wiring errors can cause improper and dangerous operation. Verify proper operation after servicing.

120v Connection

The model DF-48 comes complete with a 120v power lead. This may be replaced as required by local code.

We recommend the model DF-48 be connected to its own dedicated fused circuit breaker.

FINAL INSTALLATION CHECK

Each Hybrid Energies Gas Heater is checked and tested at the factory prior to being packaged and shipped to our dealers and finally installed in your home. Hybrid Energies recommends that before leaving this unit with the customer, the installer must ensure that the appliance is firing correctly and that the electrical system is in working order.

This will include:

1. Perform leak tests of supply line, gas control valve, supply line from gas control valve and pilot assembly.
2. Clocking the appliance to ensure the correct firing rate.
3. If required, adjusting the primary air to burner to ensure that the flame does not carbon or soot.
4. Check for proper operation.

Any alteration to the product that causes crayoning or sooting that results in any damage or requires cleaning is not the responsibility of the manufacturer.

INITIAL OPERATION

1. Check that the appliance is properly connected to the gas supply.
2. Check that all external parts, such as glass panels and trims are properly attached and fastened.
3. Do not operate this appliance with broken, cracked glass or without the glass panels in position.
4. Do not abuse the glass by either striking or slamming shut.
5. Check that there are no fingerprints left on glass panels, as high temperature can bake these prints on permanently.

FIRST FIRE

When operated for the first few times, the appliance will emit some odor and fumes. This is due to the heat from the appliance evaporating the oils and solvents used in fabricating the appliance. Run the appliance for at least 6 hours at maximum setting to allow unit to cure. Smoke and fumes caused by the curing process may cause discomfort to some individuals.

LIGHTING INSTRUCTIONS - CAUTION

WARNING : If you do not follow these instructions exactly, a fire or explosion may result causing property damage, personal injury or loss of life. Do not operate the appliance with the glass front removed, cracked or broken. Replacement of broken glass should be done by a licensed or qualified service person.

WARNING : This appliance needs fresh air for safe operation and must be installed so there are provisions for adequate combustion and ventilation air.

Do not store or use gasoline or other flammable vapors and liquids in the vicinity of this or any other appliance.

WHAT TO DO IF YOU SMELL GAS:

- * Do not try to light any appliance.
- * Do not touch any electrical switch; do not use any phone in your building.
- * Immediately call your gas supplier from a neighbor's phone. Follow the gas supplier's instructions.
- * If you cannot reach your gas supplier, call the fire department.

Installation and service must be performed by a qualified installer, service agency or the gas supplier.

1. **BEFORE LIGHTING**, smell all around the appliance area for gas. Be sure to smell next to the floor, because some gasses are heavier than air and will settle on the floor.
2. **IF YOU SMELL GAS**, follow the instructions as listed directly above or as shown on the front cover of this manual.
3. Do not use this appliance if any part has been under water. Immediately call a qualified service technician to inspect the appliance and to replace any part of the control system and any gas control which has been under water.
4. This appliance is equipped with an ignition device which automatically lights the pilot and main burner. The pilot and burner light automatically with the hand held remote or the optional room thermostat.

LIGHTING INSTRUCTIONS / INSTRUCTIONS D'ALLUMAGE

WARNING: If you do not follow these instructions exactly, a fire or explosion may result causing property damage, personal injury or loss of life.

ATTENTION: Si vous ne suivez pas ces instructions à la lettre, un feu d'une explosion entraînant des dommages matériels, des blessures ou la perte de la vie.

FOR YOUR SAFETY READ BEFORE LIGHTING Pour votre sécurité Veuillez lire avant d'allumer

- A. This appliance is equipped with an ignition device which automatically lights the pilot. Do not try to light the pilot by hand.
- B. BEFORE LIGHTING smell all around the appliance area for gas. Be sure to smell next to the floor because some gas is heavier than air and will settle on the floor.
- WHAT TO DO IF YOU SMELL GAS**
- Do not try to light any appliance.
 - Do not touch any electrical switch; do not use any phone in your building.
 - Immediately call your gas supplier from a neighbor's phone. Follow the gas supplier's instructions. If you cannot reach your gas supplier, call the fire department.
- C. Do not use this appliance if any part has been under water. Immediately call a qualified service technician to inspect the appliance and to replace any part of the control system and any gas control which has been under water.

STOP! Read the safety information above on this label.

1. This appliance is equipped with an ignition device which automatically lights the pilot. Do not try to light the pilot by hand
2. Set the remote switch and thermostat to **"OFF"**
3. Wait five minutes to clear out any gas. Smell for gas, including near floor. If you smell gas, STOP! Follow "B" safety information above.
4. Adjust room thermostat to call for heat.
5. Adjust remote control to call for heat.

If the pilot and burner will not stay lit after several tries, turn the remote to the "OFF" and check the lighting instructions in the manual or call your service technician or gas supplier.

- A. Cet appareil possède une veilleuse qui doit être éclairée par une bougie d'allumage. En allumant le pilote suivez ces instructions à la lettre.

B. AVANT D'ALLUMER odeur tout autour de l'appareil pour le gaz. Assurez-vous de sentir à côté du plancher, car certains gaz sont plus lourds que l'air et se déposent sur le sol.

QUE FAIRE SI VOUS UNE ODEUR DE GAZ

- Ne pas tenter d'allumer l'appareil.
 - Ne touchez à aucun interrupteur électrique; ne pas utiliser le téléphone dans votre immeuble.
 - Appelez immédiatement votre fournisseur de gaz de téléphone d'un voisin. Suivez les instructions du fournisseur de gaz • Si vous ne pouvez pas joindre votre fournisseur de gaz, appelez les pompiers.
- C. Ne pas utiliser cet appareil si une partie a été sous l'eau. Appeler immédiatement un technicien qualifié pour inspecter l'appareil et remplacer toute pièce du système de contrôle et de commande du gaz qui a été sous l'eau.

STOP! Lire les consignes de sécurité ci-dessus sur cette étiquette.

1. Cet appareil est équipé d'un dispositif d'allumage qui allume automatiquement le pilote. Ne pas tenter d'allumer le pilote à la main

2. Réglez le commutateur à distance sur "OFF"
3. Tournez sur la puissance électrique de l'appareil.
4. Ouvrez la vanne d'isolement de gaz

5. Tournez à distance à la position «ON».


- Si le pilote et le brûleur ne reste pas allumée après several, tourner la télécommande sur le "OFF" et vérifiez les instructions dans le manuel d'éclairage ou appelez votre technicien ou votre fournisseur de gaz.

TO TURN OFF GAS TO APPLIANCE INSTRUCTIONS

1. Set the remote switch to **"OFF"**.
2. If service is to be performed.
3. Close the gas isolation valve

1. Réglez le commutateur à distance sur "OFF".
2. Coupez l'alimentation électrique de l'appareil si le service doit être exécuté.
3. Fermez la vanne d'isolement de gaz

! DANGER



HOT GLASS WILL CAUSE BURNS.

DO NOT TOUCH GLASS UNTIL COOLED.

NEVER ALLOW CHILDREN TO TOUCH GLASS.

A barrier designed to reduce the risk of burns from the hot viewing glass is provided with this appliance and must be installed for the protection of children and other at-risk individuals.

CAUTION: Hot while in operation. Do not touch. Severe burns may result. Keep children, clothing, furniture, gasoline, and other liquids having flammable vapors away

SPECIFICATIONS / RATING PLATE

 NG / NATURAL

DO NOT REMOVE THIS LABEL
NE PAS ENLEVER CETTE ÉTIQUETTE

MODEL / MODÈLE: DF-48

de série / serial

OD: 00000
 LP / PROPANE

LISTED ANSI Z21.97-2017 • CSA 2.41-2017, Outdoor Decorative Gas Appliances.
CSA 2.17-2017 – Gas-Fired Appliances for Use at High Altitudes

For Outdoor Use Only. If Stored Indoors, Detach and Leave Cylinder Outdoors

	NG	LPG
Input rating / Entrée assignée	16,000—21,000BTU(4.7—6.2kw)	18,000—22,000BTU (5.3—6.5kw)
Manifold pressure / Pression d'admission	3.5" W.C. (0.9 kPa)	10" W.C. (2.5 kPa)
Orifice size - Dimension de l'orifice	42# DMS (mm)	53# DMS
Minimum supply pressure for purpose of input adjustment / Pression minimale d'alimentation pour le but d'ajustement de contribution	5 in. W.C. (1.24 kPa)	11.0 in. W.C. (2.8 kPa)
Control valve / La soupape contrôle:	SIT Proflame 2	SIT Proflame 2
Altitude / Elevation	0 - 4500 ft (0 - 1372 m)	0 - 4500 ft (0 - 1372 m)
Electrical rating / Tension électrique	120 VAC, 50/60 Hz, 3.20A	120 VAC, 50/60 Hz, 3.20A
Keep burner and control compartment clean. See Instructions accompanying the heater. Maintenir propres le brûleur et le compartiment de commande. Voir les instructions relatives à l'installation et au fonctionnement qui accompagnent le radiateur. Optional fuel conversion kit : OD-P-22	Minimum clearances to Combustibles / Distances: Minimales entre l'appareil et les combustibles: Ceiling / Plafond: 0" (0 mm) Floor / Plancher: 1" (25 mm) Adjacent Side Wall/Paroi latérale adjacent: 0" (0 mm) See Owner's Manual for additional clearances	

For use with front barriers Part No HE-OD-0060. Follow installation instructions for replacement instructions

WARNING: Improper installation, adjustment, alteration, service, or maintenance can cause injury or property damage. Refer to the owner's information manual provided with this appliance. For assistance or additional information consult a qualified installer, service agency, or the gas supplier.

CAUTION: Do not operate the appliance with glass removed, cracked, or broken. Replacement of the panel(s) should be done by a licensed or qualified service person.

This appliance must be installed in accordance with local codes, if any; if none, follow the National Fuel Gas Code, ANSI Z223.1/NFPA 54, or Natural Gas and Propane Installation Codes, CSA B149,1. Electrical connections and grounding must be in accordance with local codes, if any; if none, follow the current CAN/CSA C22.1 in Canada and ANSI/NFPA 70 in the US. This appliance is certified for installation in a bedroom or a bed sitting room. This appliance is only for use with the gas indicated on the rating plate and may be installed in an aftermarket, permanently located, manufactured (mobile) home where not prohibited by local codes. See owner's manual for details. This appliance is not convertible with other gases, unless a certified kit is used.

FOR USE WITH GLASS DOORS CERTIFIED WITH THIS APPLIANCE ONLY.

Il faut que cet appareil soit installé selon les codes locaux, s'il y en a; sinon, suivre le CAN/CGA-B149 actuel au Canada et ANSI Z223.1 aux É.-U. Il faut que le raccordement électrique et la mise à la masse soient en conformité avec les codes locaux, s'il y en a; sinon, suivre le CAN/CSA C22.1 actuel au Canada et ANSI/NFPA 70 aux É.-U. Cet appareil est certifié pour l'installation dans une chambre à coucher ou une pièce qui sert de chambre.

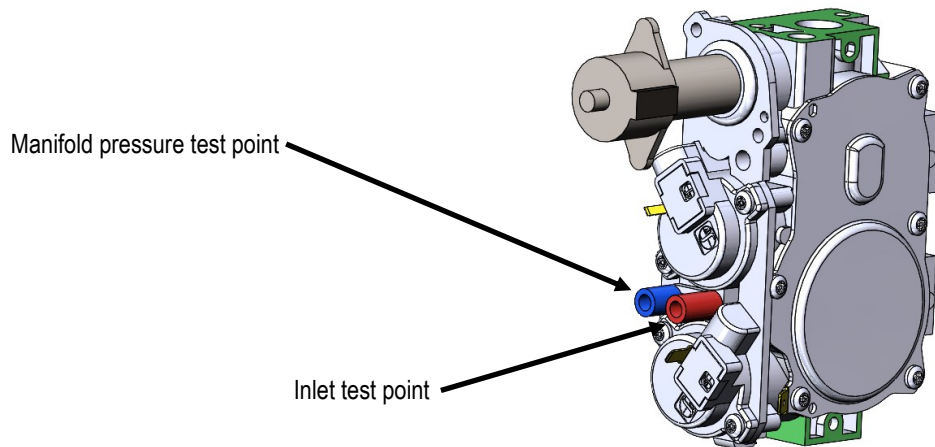
Made in Canada by / Fabrique au Canada par:
Hybrid Energies A.T. Inc, Mission, B.C.
 DF-48 May 2022



Labtest report 50.00.20798-1

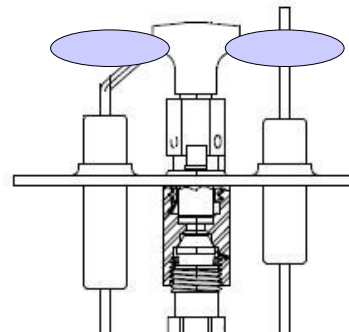
CHECKING INLET AND OUTLET GAS PRESSURE

1. Remove the front glass and circulating fan housing.
2. The pressure test taps are located on the valve. The taps are located in the gas valve front face. The inlet is marked 'IN' and the outlet is marked 'OUT'.
3. Loosen the set screw inside the tap with a screwdriver.
4. Connect a 1/4" (6 mm) rubber tube to the tap post and a manometer.
5. Verify that the readings obtained are within specs (as shown on the appliance rating plate)
6. Be sure to tighten the set screw inside the tap after you have finished taking pressure readings.
7. Check for leaks.



CHECKING AND ADJUSTING PILOT

The flame should not have yellow tips but should engulf the sensor. It can be adjusted by turning the screw marked "pilot" on the control valve.



Proflame 2 Remote Control



Pairing Remote Control:

- Install the 3 AAA type batteries in the battery bay, located on the base of the Remote Control. Note polarity of the batteries and insert them as indicated.
- Connect the AC power supply to the IFC.
- Press the SW1 button on the IFC module so the IFC will "beep" and a red LED is illuminated to indicate that the IFC is ready to synchronize with a Remote Control within 10 seconds. With the batteries already installed in the Remote Control, push the ON button. The receiver will "beep" four times to indicate the Remote Control's command is accepted.

The system is now initialized.

Resetting Proflame II Module for Manual Use

Should the transmitter get misplaced, broken or not wanted the PF2 Module can be reset to a manual system. A manual on/off switch or thermostat may be installed at the X4 connector (this connection is Jumped at the factory) no power is required.

The following sequence must be followed to reset the PF2 Module:

- Press the Red **SW1** button until you hear three beeps.

- Within 10 seconds press the **SW1** button again until you hear it beep.
- The PF2 module may now be turned on/off manually (x4 connector) by a switch (not supplied), the pilot will remain on CPI (continuous pilot ignition) mode, all other functions of main burner, fan and lights will be on the high setting.

Fan Startup and Shutdown Timings:

Fan setting is started with a delay of 5 minutes from the fireplace ignition and stopped with a delay of 12 minutes from the fireplace switching off.

Low battery power detection

When the Remote Control's batteries are low, a Battery Icon will appear on the LCD display before all power is lost. When the batteries are replaced this icon will disappear.

Battery backup

The PF2 module is powered by line voltage (AC) with provision of battery backup in case of main power loss. Fans and lighting features will not function with the PF2 module is powered by battery backup. It is recommended that the 4 x AA batteries are changed before each heating season.

Cold Climates – CPI Setting - Proflame 2 Remote Control

Use the **CPI setting** during cold weather, otherwise the fireplace may have a hard time starting up and establishing a flame. The **CPI** (Continuous Pilot Ignition) setting will keep the firebox and fireplace exhaust vent warm during cold weather. When the firebox and exhaust vent are warm, exhaust gasses will readily flow out of the firebox.

If the firebox and venting are too cold, there is resistance due to the heavy cushion of cold air, and combustion gasses may not rise into the exhaust vent, thus causing the fireplace to cycle or **Lockout** (if this happens see **Lockout Reset Procedures** below).

NOTE: The pilot system for this appliance may be equipped with a **Seven Day Timer**, in which case the pilot flame will be extinguished if the main burner has not been turned ON for seven days. This Seven Day Cycle is reset every time the main burner is cycled ON / OFF and the pilot remains lit. If more than seven days has passed since the main burner has been cycled ON / OFF and the pilot is also out, follow the procedures described in this manual to light the pilot.



To switch from IPI to CPI Mode:

1. Turn the fireplace OFF using the **ON / OFF Key**.

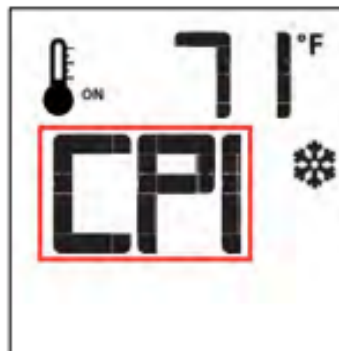


2. Press the **Mode Key**. Display will appear as below.



3. Press UP on the **UP / DOWN Arrow Key**. Display will show **CPI**.

The module in the fireplace will beep once to confirm command.



TO RETURN TO IPI (INTERMITTENT PILOT) MODE:

Repeat steps one and two, and then press DOWN on the **UP / DOWN Arrow Key**.

The module in the fireplace will beep once to confirm command.

Lockout Reset Procedures – Proflame 2

If the fireplace has cycled too many times in a short period of time, it will shut down and become unresponsive to any new command.

The LED light on the Proflame 2 module in the fireplace will be flashing red.

This condition is a **Lockout** state.

Lockout Reset Procedure:

1. Disconnect power from the Proflame 2 module in the fireplace for 10 seconds. This includes removing the backup batteries.
2. Once the 10 second interval has passed, reconnect power and reinstall backup batteries. The pilot should now try to light.
3. If the fireplace does not come on, call your fireplace technician.

Proflame 2 Remote Control

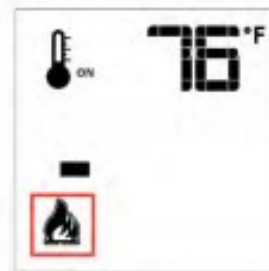
Remote-Flame Control

The proflame has six (6) flame levels. With the system on, and the flame level at the maximum in the appliance, pressing the Down Arrow Key once will reduce the flame height by one step until the flame is turned off.

The Up Arrow Key will increase the flame height each time it is pressed. If the Up Arrow Key is pressed while the system is on but the flame is off, the flame will come on in the high position. (Fig. 7 & 8) A single "beep" will confirm reception of the command.



Fig. 7: Flame Off



Flame Level 1



Fig. 8: Flame level 5



Flame Level Maximum

Room Thermostat (Transmitter Operation)

The Remote Control can operate as a room thermostat. The thermostat can be set to a desired temperature to control the comfort level in a room.

To activate this function, press the Thermostat Key (Fig. 1). The LCD display on the Transmitter will change to show that the room thermostat is "ON" and the set temperature is now displayed (Fig. 9). To adjust the set temperature, press the Up or Down Arrow Keys until the desired set temperature is displayed on the LCD screen of the Transmitter.

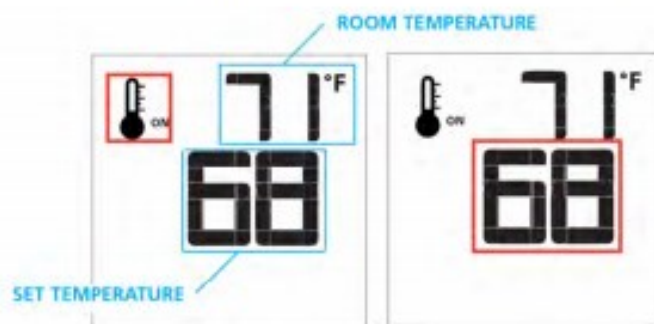


Fig. 9

Fig. 10

Smart Thermostat (Transmitter Operation)

The Smart Thermostat function adjusts the flame height in accordance to the difference between the set point temperature and the actual room temperatures. As the room temperature gets closer to the set point the Smart Function will modulate the flame down.

To activate this function, press the Thermostat Key (Fig. 1) until the word "SMART" appears to the right of the temperature bulb graphic (Fig. 11).

To adjust the set temperature, press the Up or Down Arrow Keys until the desired set temperature is displayed on the LCD screen of the Transmitter (Fig. 12).



Fig. 11: Smart flame function



Fig. 12

Note:
When Smart Thermostat is activated, manual flame height adjustment is disabled.

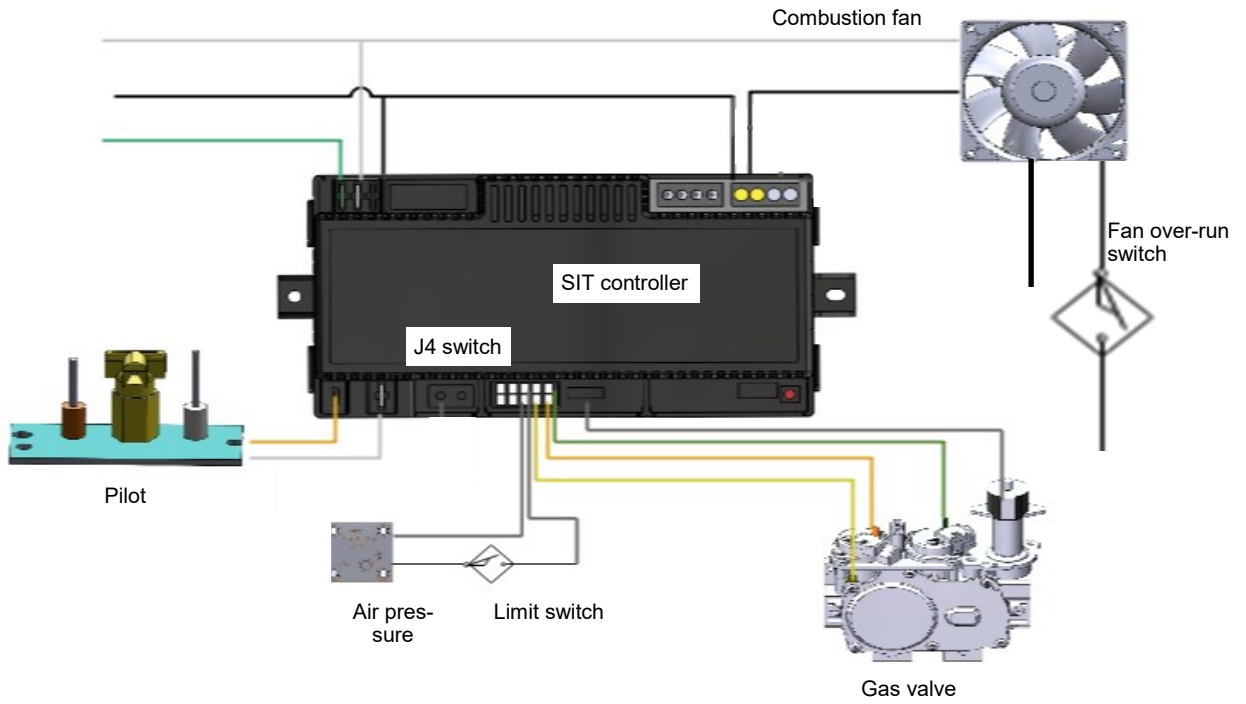
If the appliance is equipped with the electric heating element it can be turn on and off using the Proflame system. To activate this function use the mode key to select AUX. Use the Up/Down keys to select heating element on/off. When this function is selected turning on the electric element automatically turns off the gas burner.

Note: This means only gas burner or electric element may be on, not both together.



Aux (electric on/off)

Gas electrical circuit



MAINTENANCE**CAUTION:**

Do not conduct maintenance on the appliance while it is operating or while it is still hot.

CLEANING THE APPLIANCE

The exterior surfaces, glass and stainless panels trims may be cleaned with a soft, non-abrasive cloth and water or a suitable, mild, non-abrasive cleaner.

Regularly:

- Frequent cleaning of the glass is required. Hybrid Energies recommends using a good quality “gas fireplace” glass cleaner that is available at any hearth retail location. **DO NOT CLEAN WHILE HOT.**
- Clean and remove any lint accumulations or debris from the grills and in any combustion and convection air passage ways.
- Keep the appliance area free from combustible materials, such as paper, wood, clothing, gasoline and flammable solids, liquids and vapors.
- Visually check the height and color of the burner and pilot flames.

Every 2 to 3 months:

- Remove the glass firebox and clean the inside of the glass with a good quality “gas fireplace” glass cleaner. **DO NOT CLEAN WHILE HOT.**

Once a year, have a qualified service technician:

- Completely inspect the appliance.
- Clean and remove any lint accumulations or debris in the firebox, on the burners, on the pilot, at the primary air opening, and in any combustion and convection air passageways.
- Check the safety system of the gas valve and the appliance.
- Check circulating fans and clean as required.

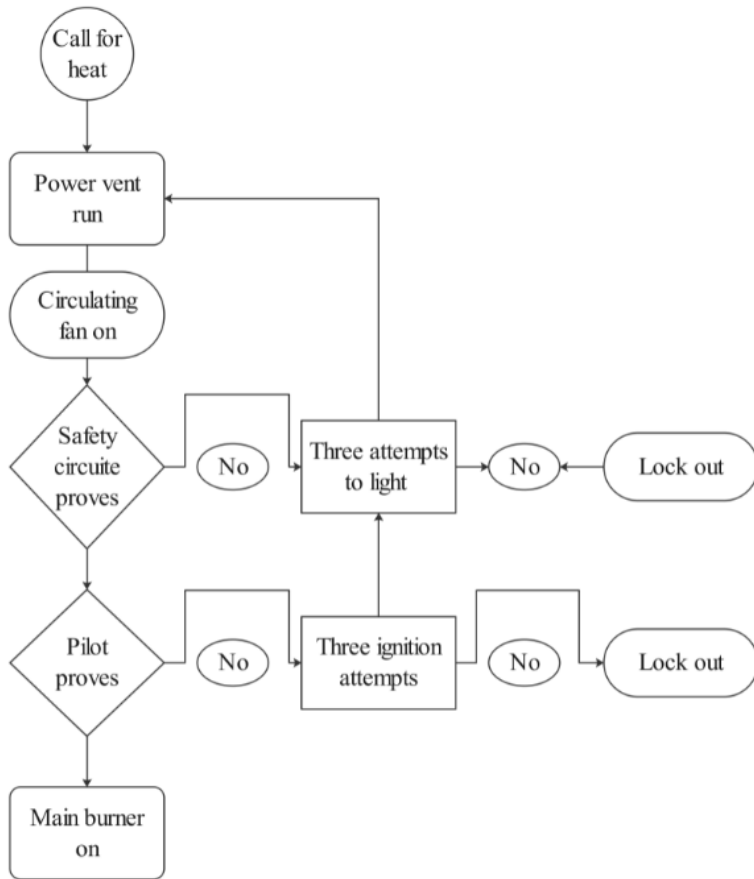
WARNING: All parts removed or disturbed, including guards and grills, must be properly replaced after maintenance. Service and repair must be conducted by a qualified service person. If these instructions are not followed, a fire or explosion may result, causing property damage, personal injury or loss of life.

SERVICING UNDER WARRANTY

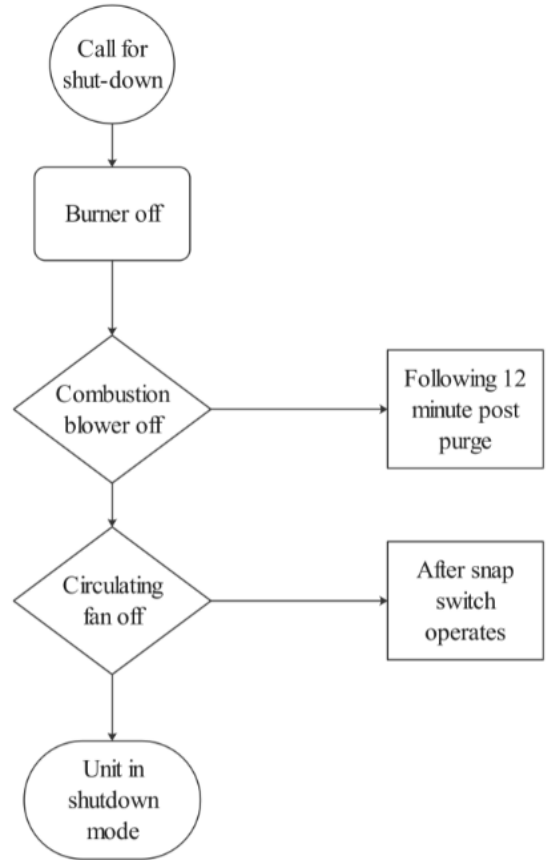
Before servicing, read the terms and conditions of the Hybrid Energies warranty at the back of the manual. Contact the authorized Hybrid Energies dealer where you purchased the appliance from and provide them with details of the problem, along with the initial installation information (from the front of this manual).

WARNING: Servicing of this appliance **must be conducted by a qualified service technician**. Improper servicing, adjustment or alteration of this appliance may cause property damage, personal injury or loss of life. All servicing should be conducted with the appliance cold. All replacement parts must be authorized by Hybrid Energies for suitability.

Gas on Cycle



Gas off cycle



FAULT FINDING CHARTS

Gas System

PROBLEM	POSSIBLE CAUSE	ACTION REQUIRED
Unit Does not fire	Check thermostat, remote, breaker are calling for heat	Switch on all sources call for heat.
Combustion fan does not start	Faulty SIT controller, pressure switch or limit switch.	Check pressure switch is in start position (contact Normally open). Check limit switch closed. Check power to power vent motor.
Combustion fan starts but no fire.	Faulty pressure switch or blocked combustion air inlet and or blocked combustion vent.	Check pressure switch closes on fan start. Check air line to pressure switch not blocked.
Pressure switch makes but no fire.	Faulty SIT controller or pilot not igniting.	Replace controller. Check pilot for spark. Faulty pilot ignitor or blocked pilot.
Pilot ignites but burner fails to ignite.	Faulty SIT board or pilot sensor.	Check board (replace if required). Check pilot probes clean and flame picture good.
Unit fires but air circulation fan does not start.	Faulty air circulating fan	Check 120v power to thermodisk and through to circulating fan.
Unit fires but shuts down after no circulating fan	Check limit switch not tripped and fault as above for faulty fan.	Reset limit switch and check system for reason for tripping.

Replacement Parts

The following replacement parts are available from your authorized Hybrid Energies dealer:

Description	Part Number
Gas Valve	HE-OD-0010
SIT Controller	HE-OD-0015
SIT Wiring Harness	HE-OD-0017
Pilot Assembly	HE-OD-0020
Combustion Blower	HE-OD-0040
Pressure Switch	HE-OD-0042
Hi Limit Switch	HE-OD-0047
Fan Over-run Switch	HE-OD-0048
Firebox Glass Assembly	HE-OD-0050
Mid Glass Assembly	HE-OD-0052
Front Glass Assembly	HE-OD-0060

Glazing components shall only be replaced as a complete unit as supplied by the manufacturer

FREQUENTLY ASKED QUESTIONS

Listed below are some frequently asked questions regarding Hybrid Energies Gas Fireplaces. If you have questions that are not listed below, or are not answered in this manual, please contact your Authorized Hybrid Energies Dealer.

Q. My glass has a condensation “fog” when the appliance is first lit.

A. Condensation is normal and will disappear in a few minutes after the glass is heated.

Q. I have a white “film” on my glass. What is the best way to clean the inside of the glass.

A. Frequent cleaning of your glass is recommended. Hybrid Energies recommends using a good quality “gas fireplace” glass cleaner that is available at all authorized dealers. Do not use abrasive materials, and do not clean the glass or the appliance when the unit is hot.

Q. How do I care for my plated trims.

A. Hybrid Energies recommends a cleaning with a damp cloth. **DO NOT** use chemical cleaners as they may harm the finish, and void your warranty. **NOTE:** If the top louvers, or top overlay starts to discolor, check the door gasket seal and replace if necessary.

Q. I hear a “ticking”, “cracking” or “pinging” sound when my fireplace is running, and after it is turned off.

A. The different gauges of steel used to manufacture your fireplace will expand and contract at different rates when your fireplace is on, and will continued as your fireplace completes its heating function. You will likely hear these same sounds more on start up and shut down. This is normal for steel fireplaces.

Q. When my appliance is OFF and my pilot light is lit, I hear a “whisper” sound.

A. The lit pilot can make a small noise. Sometimes in extreme wind conditions you may be able to hear air entering into the firebox chamber.

Q. I hear a “click” when my main burner turns ON or OFF.

A. Your Gas Control Valve will make a clicking sound when it opens to allow gas to flow to the main burner. This is a normal part of the operating system.

Q. Can I burn wood and other materials in my gas fireplace.

A. No! Burning anything other than natural or LP gas in a gas fireplace or stove will create a potential fire hazard and present a danger to your home and its occupants. Only burn the gas fuel for which the unit was originally designed.

Q. Can I shut my pilot off in the summer?

A. You will save energy by turning off the pilot light if you are not using your appliance for the hot summer months. Remember to relight it before you want to use the appliance for the first time in the fall. Refer to your owners manual for lighting instructions.

HYBRID ENERGIES A.T. INC

This Limited Warranty is made by [HYBRID ENERGIES](#) A.T. Inc, hereinafter referred to as “Hybrid Energies”. Hybrid Energies warrants to the original purchaser of an Hybrid Energies gas burning heater (s) that the product will be free of defects in materials and workmanship under normal use and service, for a “lifetime”.

INCLUSIONS: “LIFETIME LIMITED WARRANTY“ ([time disclaimer or original purchaser](#))

- All heat exchangers, combustion chamber, burner tubes and pans.
- [Ceramic Brick Panels against splitting or cracking from heat exposure.](#)
- Ceramic Glass against thermal breakage.([ie: flaking](#))
- NOTE: Discoloration and some minor movement of certain parts are normal and are not a defect and therefore, not covered under warranty.

The above will be covered “parts & labor” to the original purchaser for FIVE years and “parts” only thereafter from original date of purchase.

INCLUSIONS: “FIVE YEAR LIMITED WARRANTY”

- Five year limited warranty on the Burner System. Warranty will cover any defective burner if defect is deemed as original by the manufacturer.

The above will be covered “parts & labor” to the original purchaser for TWO years and “parts” only thereafter from original date of purchase.

INCLUSIONS: “ONE YEAR LIMITED WARRANTY”

- All [24 K gold](#) trims and accessories against tarnishing.
- All trim accessories against tarnishing and paint defects. wiring, [rheostats](#) and [thermodiscs](#).
- Rocker switches, spill switches and wiring to them.
- Gas control valves, pilot assemblies including thermopiles, thermocouples, electrodes, and igniters.

The above will be covered “parts & labor” to the original purchaser for ONE year from date of purchase.

EXCLUSIONS:

- Ember material.
- Tempered Glass is under warranty for ONE year to the original purchaser from date of purchase.
- Travel time or mileage to original purchasers residence. [Hybrid Energies](#) suggests that you pre-arrange travel expenses with your Authorized Hybrid Energies Dealer.

WHAT TO DO IN THE EVENT OF A PROBLEM:

- Thoroughly read your manual.
- If you cannot solve the problem, contact your Hybrid Energies Dealer or representative.
- When calling for help please have the following information:

Model of your Fireplace	Serial Number	Place of Purchase
Date of Purchase	Problem Description	

- NOTE: Warranty may be void if work is carried out by an unqualified person (s). Only original Hybrid Energies parts may be used. Please consult your Hybrid Energies dealer or representative if in doubt about a replacement part (s).

OBTAINING WARRANTY SERVICE:

To obtain warranty service, the original purchaser shall return the defective part (s) to the original authorized Hybrid Energies selling dealer transportation prepaid, along with the serial number of the appliance and proof of purchase. Any defective part, in our judgment, will be repaired or replaced at Hybrid Energies’s discretion. The dealer must obtain approval from Hybrid Energies before any repairs are made.

WARRANTY LIMITATION:

THIS LIMITED WARRANTY IS MADE IN LIEU OF ALL OTHER WARRANTIES, EXPRESSED OR IMPLIED AS TO QUALITY, MERCHANTABILITY OR FITNESS FOR PARTICULAR PURPOSE.

The appliance is only warranted for the use as intended by the installation and operating instruction and local building codes. The warranty will not cover damage due to accident, misuse, abuse, alteration, improper installation or “Acts Of God”.

This limited warranty is void unless the appliance is installed by a qualified installer, in accordance with the instructions furnished with the appliance. Some Provinces or States do not allow limitations on how long an implied warranty lasts, so the above limitation may not apply to the original purchaser. Any damage resulting from defects in this product, is limited to the replacement of the defective part (s) and does not include incidental and consequential exposures sustained in connection with the product. This includes facing (s), mantle (s), cabinet (s), tile (s) or any other finishes resulting from removal of any gas appliance. This warranty is limited to residential use only and gives the consumer specific rights. These rights may vary from State to State or Province to Province.